

Gas Pressure Regulator

Z-P Serie DN25 - DN150



Main Features

Direct-acting Z-P Serie Gas Pressure Regulators According to 2014/68/EU Directive, EN334 and EN 14382

- **Balanced valve**
- **Rugged construction for durability**
- **Wide pressure regulation range**
- **Full seal at zero flow**
- **Easy maintenance**
- **Optional minimum and/or maximum pressure slam-shut device**
- **Optional silencer internal and/or external**
- **With or Without SSV**
- **With electric position indicator SSV closed by an inductive proximity switch**
- **Combined monitoring system**
- **Bypass system for to activate ssv easily**

Technical Features



Maximum allowable pressure –PS	50 bar
Inlet pressure range –bPu	1 – 50 bar
Outlet pressure range –Wd	0.3 – 16.000 mbar
Allowable temperature –TS ⁽¹⁾	-20 °C to +60 °C
Inlet gas temperature	-20 °C to +60 °C
Accuracy class –AC	up to AC 2.5
Lock-up pressure class –SG	up to SG 5
Nominal size –DN	DN25 1" DN40 1 1/2" DN50 2" DN65 2 1/2" DN80 3" DN100 4" DN150 6"
Connections ⁽³⁾	PN16, PN25 according to ISO 7005 Class 150 or 300 RF according to ASME B16.5 and

⁽¹⁾ Low temperature version -40°C: available on request

⁽³⁾ On request for other connection class

Metarials

Body ⁽¹⁾	ASTM A 352 LCC
Main Actuator ⁽²⁾	ASTM A 350
Seat ⁽²⁾	Stainless Steel
Internal Parts ⁽²⁾	Stainless steel and brass
Seals	NBR+canvas (powered by hot operation process)
Diaphragm	Synthetic rubber with fabric reinforcement

⁽¹⁾ A 216 WCB: available on request

⁽²⁾ Other materials available on request

Gas Pressure Regulator, Z-P Serie

Standards and certificates

Applied directives:

Pressure Equipment Directive –PED

(EU) EU/2014/68



Compliance with the regulations of the applied directives is verified by the adherence to the following standards / regulations:

- Gas pressure regulators for inlet pressure up to 100 bar EN 334:2019
- Gas safety shut-off devices for inlet pressures 100 bar EN 14382:2019
- EU Desing Examination Certificate 2195-PED-20081-T



- UkrSepro Tecnical Regulations for Pressure Equipment UA.TR.012C.0368



The relevant valid edition of the standards can be found in the declaration of conformity!

Use

General Gases :

Natural gas, town gas, propane, butane, air, nitrogen or all non-corrosive gases

Suitable for use with previously filtered gaseous fluids, it is mainly used for medium and low pressure natural gas distribution networks. Biogas resistant up to 0.1% H₂S dry for standard version.

Hydrogen Ready :

Suitability of natural gas-hydrogen mixtures or pure hydrogen.

When using the Z-P Serie, a manufacturer's declaration and notified body reports can be provided on request.

Biogas or Biomethane Version :

Suitable for biogases and recycling gases

– up to maximum 1% by volume H₂S, dry

– up to maximum 1% by volume NH₃,

dry No non-ferrous metals (except in very small quantities found in the plastic components)

Biogas version of Z-P Serie are also designed for slightly aggressive, dry gases.

Gases according such as biogases, landfill gases, sewage gases, other recycled gases, process gases, and air. The chemical composition and aggressiveness of each biogas or recycled gas is different, not constant, and dependent on several factors.

The aggressiveness of the gas notably increases:

- as the hydrogen sulfide content H₂S increases

- with the moisture content of the gas, condensation is not permitted inside the regulator

In consultation with Gastech, users must decide whether the materials used for the Z-P Serie are suitable for the intended types of recycling gas. These gases can vary in terms of both their composition and the respective concentration of the components.

As a result, it is not possible to make any warranties or definitive statements regarding service life. An assessment should be carried out to determine the suitability of the gas used.



For safety reasons, we strongly recommend

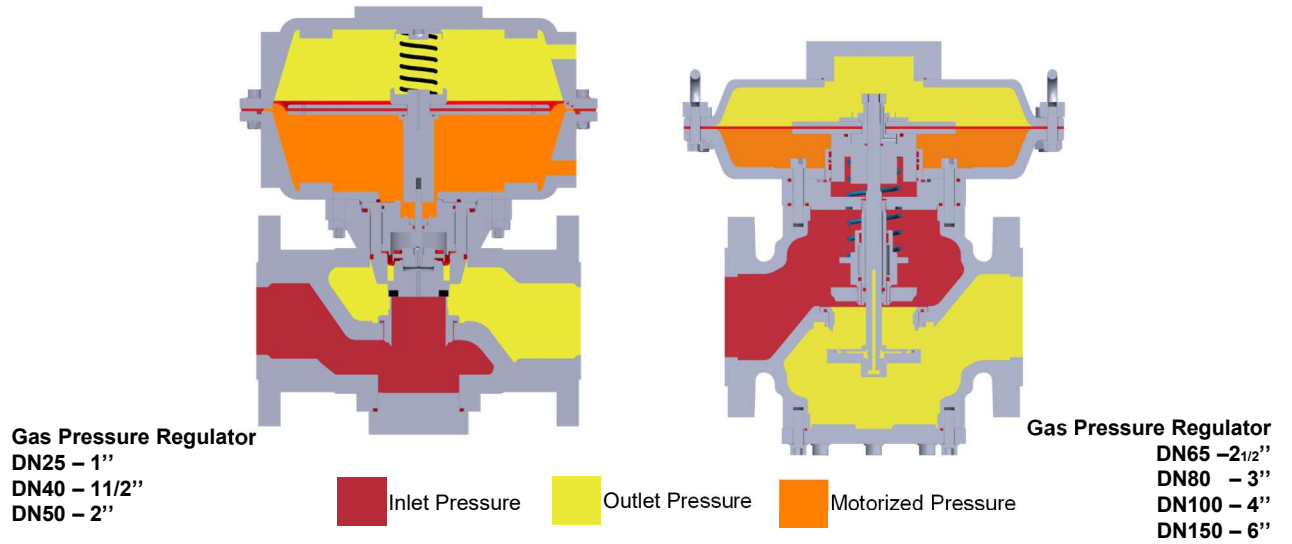
- the installation of a safety relief Valve and SSV device

- a visual inspection of the Z-P Serie regulator at intervals of 3 to 6 months

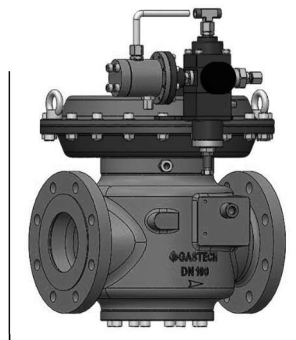
- Function and leakage tests

Gas Pressure Regulator, Z-P Serie

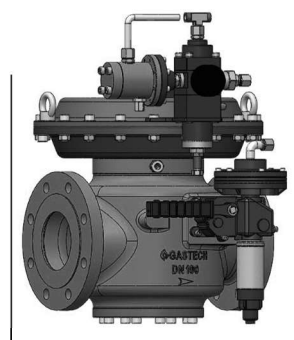
**Desing,
Operational Diagram**



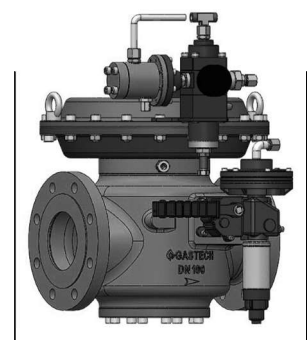
Configurations



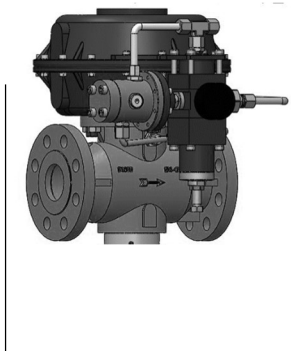
Gas Pressure Regulator
Z65-150



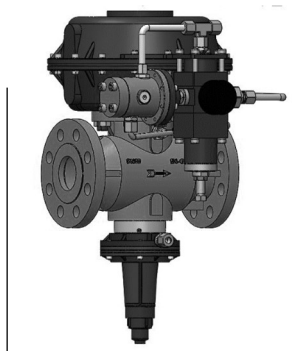
**Gas Pressure Regulator
with Slum Shut Valve**
Z65-150/S Serie



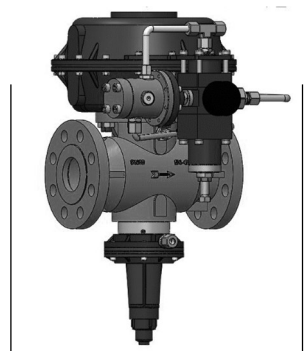
**Gas Pressure Regulator
with Slum Shut Valve + Monitor**
Z65-150M/S Serie



Gas Pressure Regulator
Z25-50



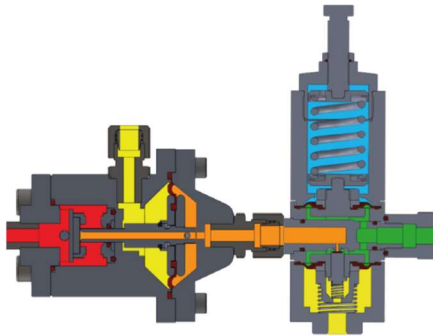
**Gas Pressure Regulator
with Slum Shut Valve**
Z25-50/S Serie



**Gas Pressure Regulator
with Slum Shut Valve + Monitor**
Z25-50M/S Serie

Gas Pressure Regulator, Z-P Serie

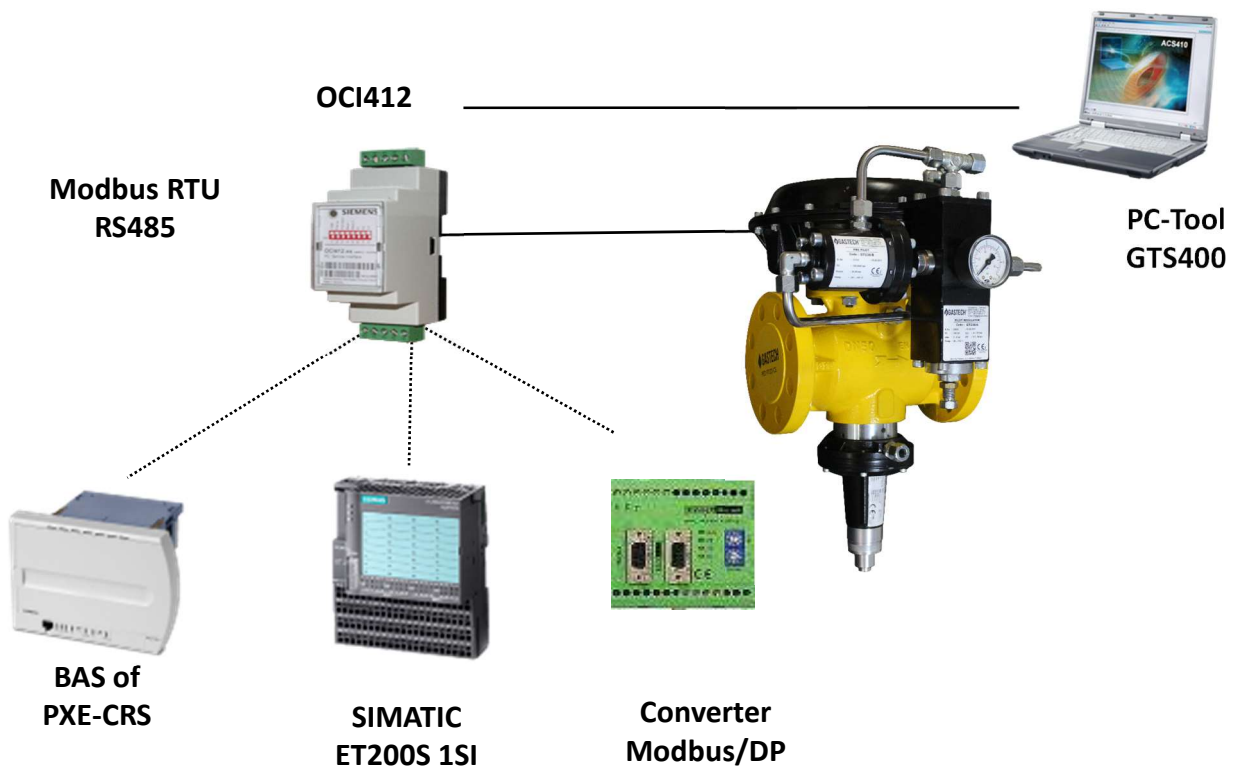
Pre Pilot - Pilot



Type	GT Serie
Allowable temperature –TS	-20 °C to +60 °C
Set Range	GT239A 10 -500 mbar GT238A 0.3 – 16 bar

Pilot Control System

GTxxxA	Manual Setting
GTxxxB	Cannot be adjusted, only factory settings
GTxxxC	Analog Signal Control, 4-20mA or 0-10V
GTxxxD	Pneumatic Control
GTxxxE	Flow Control with Orifice Plate



Gas Pressure Regulator, Z-P Serie

Slum Shut Valve

The Z-P Serie of regulators can be fitted with safety shut-off valve for overpressure (OPSO) or combined under-and-over pressure (UPS0/OPSO) protection. Shutoff gas flow when the outlet pressure of the regulator increases or/and decreases. The Slum shut valve trip pressure can easily be adjusted independently of the regulator set point. Built internal bypass, for balancing pressure before relatching the safety shut-off valve, is operated by pulling the valve stem. Possibility of application of devices for remote signal and remote control.

Technical Features

Type	IS			
Operation class	A			
Response time	< 2 s			
Allowable temperature –TS ⁽¹⁾	-20 °C to +60 °C			
Accuracy –AG ⁽²⁾	50 mbar	AG 30		
	50 – 150 mbar	AG 10		
	150 – 5.500 mbar	AG 5		
	1.0 – 16 bar	AG 5		
Set Range OPSO ⁽³⁾	BP 20 -300mbar	MP 50 - 500mbar	AP 0.3 – 5.5bar	HP 1 – 16 bar
Set Range OPSO ⁽³⁾	BP 10 -280mbar	MP 20 - 350mbar	AP 0.2 – 3.2bar	HP 0.8 – 14 bar

⁽¹⁾ Low temperature version -40°C: available on request


⁽²⁾ Depending on working conditions

⁽³⁾ change differant springs Refer to page

Slum Shut Unit for Z-P Serie

Article No	Type	DN Size
2.80.0311	S-BP	DN25-40
2.80.0312	S-MP	DN25-40
2.80.0313	S-AP	DN25-40
2.80.0330	S-HP	DN50
2.80.0314	S-BP	DN50
2.80.0315	S-MP	DN50
2.80.0316	S-AP	DN50
2.80.0331	S-HP	DN50
2.80.0317	S-BP	DN65-80
2.80.0318	S-MP	DN65-80
2.80.0319	S-AP	DN65-80
2.80.0332	S-HP	DN65-80
2.80.0320	S-BP	DN100
2.80.0321	S-MP	DN100
2.80.0322	S-AP	DN100
2.80.0333	S-HP	DN100
2.80.0323	S-BP	DN150
2.80.0324	S-MP	DN150
2.80.0325	S-AP	DN150
2.80.0334	S-HP	DN150



 Please, select the springs (OPSO and UPSO Range), Refer to Page 22 and 23

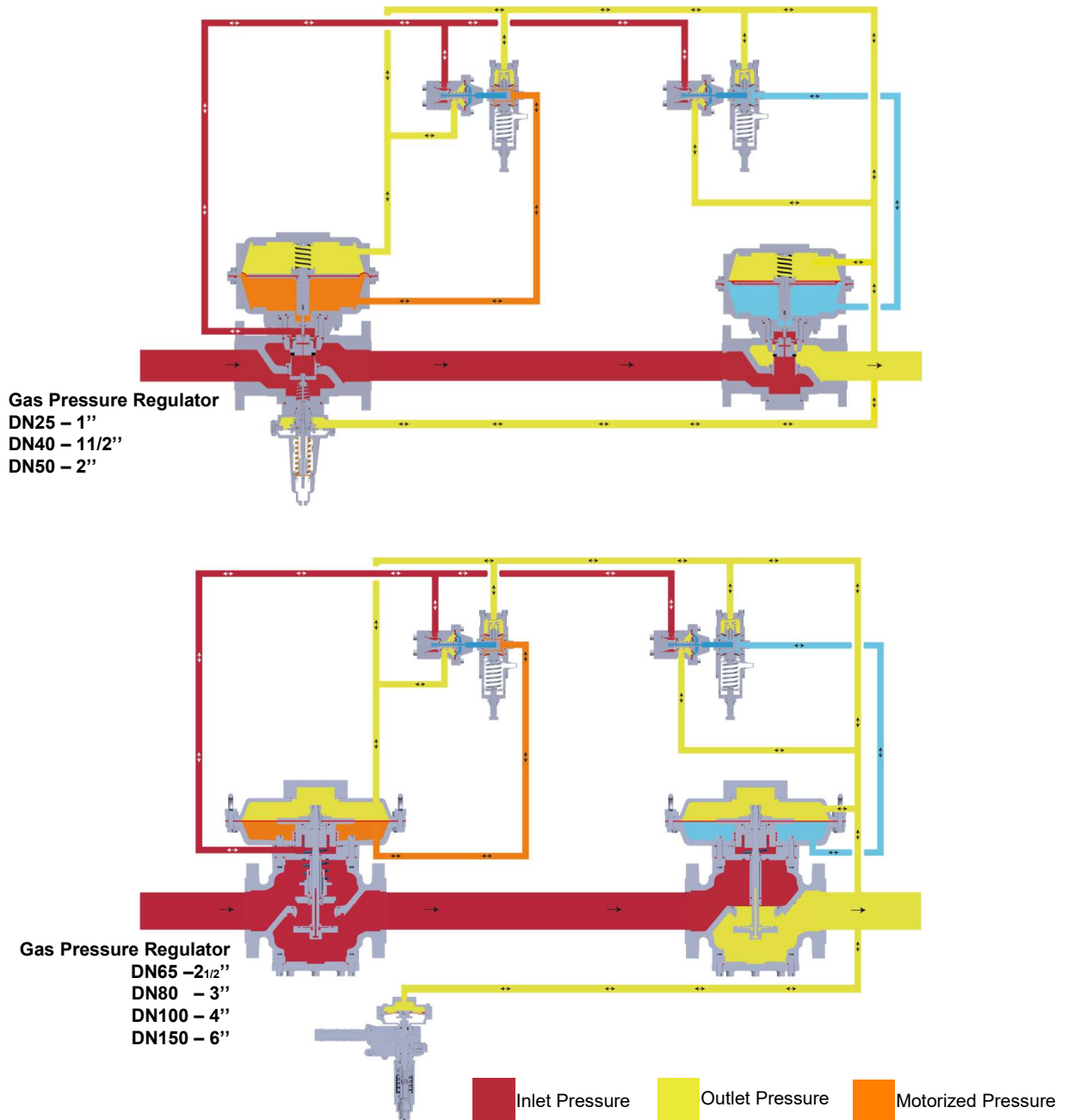
Gas Pressure Regulator, Z-P Serie

Monitor Unit

The Monitor or emergency regulator is used as a safety device in gas pressure reduction systems. The purpose of this device is to protect the system against possible overpressure, while keeping the reduction line in service. To perform a periodic test on a monitoring regulator, increase the outlet set pressure of the working regulator and watch the outlet pressure to determine if the monitoring regulator takes over at the appropriate outlet pressure.

Monitor regulator is generally installed upstream of the active regulator. Although the function of the monitor regulator is different, the two regulators are virtually identical from the point of view of their mechanical components. Flow coefficients of the regulator puls line monitor system are about 15% lower than those of the active regulator alone.

In order for the standard regulator to be a monitor regulator, it is necessary to add a few mechanical parts. This attachment is directly integrated into the body of the monitor regulator. Figure below is focused on the monitor unit




Gas Pressure Regulator, Z-P Serie

Silencer -INT

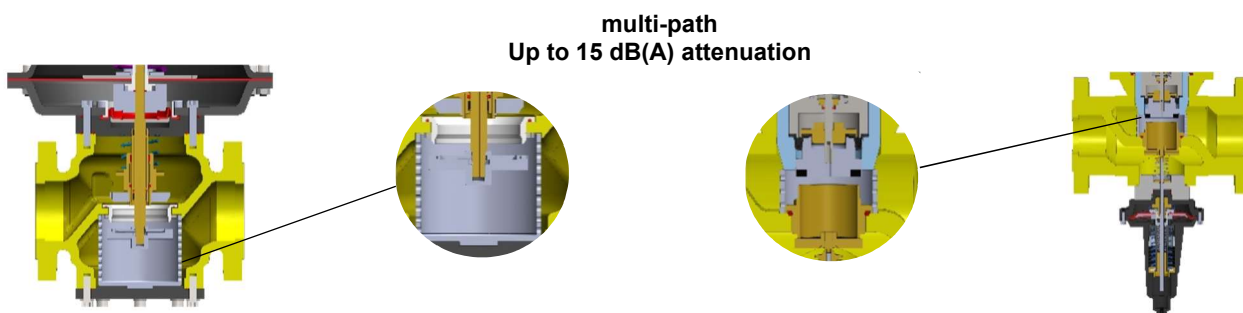
This silencer is fitted on the regulator orifice and is highly efficient up to a theoretical speed of 80 m/s calculated at the outlet flange.

Type int silencer multi-path noise abatement device is incorporated into the regulator on the seat area. It consists of plated Stainless steel metals containing no sound deadening materials. Depending on flows and pressure drop, the silencer can reduce noise levels as much as 15 dB (A) with an approximate 3% capacity reduction.

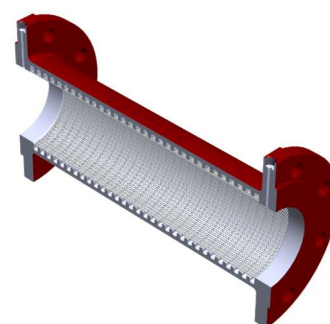
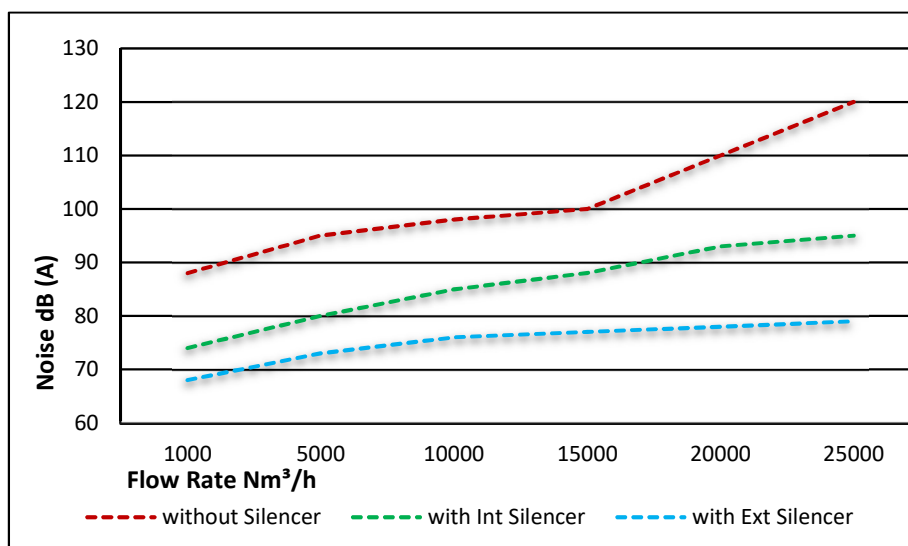
Silencer Unit for Z-P Serie



Article No	Type	DN Size
2.80.0580	M-BP/MP/AP	DN25-40
2.80.0581	M-BP/MP/AP	DN50
2.80.0582	M-BP/MP/AP	DN65-80
2.80.0583	M-BP/MP/AP	DN100
2.80.0584	M-BP/MP/AP	DN150



Performance of Silencer



Ext Silencer

Gas Pressure Regulator, Z-P Serie

Pilot Heater - Electric

The electric pilot heater Type PEH is used for reheating gas supplying pressure reducing regulator pilots to avoid the inconveniences caused by freezing which occurs during large pressure drops and/or low ambient temperature

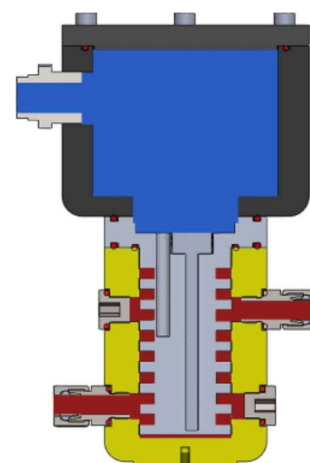


Pilot heater for Z-P Serie

Article No	Type	DN Size
2.80.0680	PEH27	230Vac 50-60 Hz
2.80.0681	PEH17	110Vac 50-60 Hz
2.80.0682	PEH10	12Vdc

Technical Features

Heater tube	102 bar
Thermometer pocket	102 bar
Group according to directive 2014/34/UE	Group II
Category according to directive 2014/34/UE	Category 2
Protection	Ex db IIC T2 Gb
Power supply	230 V 50-60 Hz
Power consumption	280W Max.
Recommended operating temperature	0 to 30 °C
Max. allowable admitted temperature	60 °C
Selector for temperature A range	0/30
Thermostat	+ 30 to + 90 °C
Differential selector C	2
Interchangeable thermic probe	10 kΩ



Gas Pressure Regulator, Z-P Serie

Accessories
(to be ordered separately)



Switch for SSV of Z-P Serie - EExd II CT6 - IP65

Article No	Type	DN Size
2.80.0622	M-BP/MP/AP	DN25-40-50
2.80.0623	M-BP/MP/AP	DN65-80-100-150



Switch for SSV of Z-P Serie - EN 50041 - IP66

Article No	Type	DN Size
2.80.0624	M-BP/MP/AP	DN25-40-50
2.80.0625	M-BP/MP/AP	DN65-80-100-150



3 way solenoid valve for SSV of Z-P Serie -EExd II CT6 - IP65

Article No	Type	DN Size
2.80.0699	M-BP/MP/AP	DN25-40-50-65-80-100-150

Pnömatic Actuator for Z-P Serie –Air supply pressure 2-6bar



Article No	Type	DN Size
2.80.1143	N.O or NC	DN25 – 40
2.80.1144	N.O or NC	DN50
2.80.1145	N.O or NC	DN65 – 80
2.80.1146	N.O or NC	DN100
2.80.1147	N.O or NC	DN150



Sensing Line Kit for Z-P Serie

Article No	Type	DN Size
2.80.2122	All Type	All size



Consisting of: 3pcs x 1mt dia.10mm steel pipe – 3pcs x pipe connection for 10 mm dia. ¼”

Gas Pressure Regulator, Z-P Serie

Flow Calculations

For a 0.6 specific gravity gas, sizing of regulators is usually made on the basis of Cg valve and KG flow rate coefficients. Flow rates at the fully open position and the various operating conditions are related by the following formula

Sub-critical flow behaviour (Pu -Pd) ≤ 0.5 Pu

$$Q = 0,52 \times Cg \times Pu \times \text{sen}\left(K1 \times \sqrt{\frac{Pu - Pd}{Pd}}\right)$$

$$Q = KG \times \sqrt{Pd \times (Pu - Pd)}$$

Critical flow behaviour (Pu -Pd) > 0.5 Pu

$$Q = 0,52 \times Cg \times Pu$$

$$Q = \frac{KG}{2} \times Pu$$

Acronyms

Q	volumetric flow rate in (m3 /h)
Pu	absolute inlet pressure in (bar)
Pd	absolute outlet pressure in (bar)

Flow rate coefficient

Size	25 1"	40 1 1/2"	50 2"	50H 2"H	65 2 1/2"	80 3"	100 4"	150 6"
Cg	540	984	1525	2200	3320	4553	7990	16700
KG	567	1034	1632	2288	3452	4735	8395	17368

Select the diameter of the regulator with Cg higher than calculated value. After finding the DN of the regulator, check that gas speed on the seat does not exceed 100 m/sec, using the following formula:

$$V = 345.92 \times \frac{Q}{DN^2} \times \frac{1 - 0.002 \times Pd}{1 + Pd}$$

V	Velocity (m/s)
345.92	Numerical constant
Q	Flow rate under standard conditions (Stm3/h)
DN	Regulator nominal diameter (mm)
Pd	absolute outlet pressure in (bar)

Correction factor for non-natural gas applications

The low rates are indicated for a 0.6 specific gravity gas. To determine the volumetric flow rate for gases other than natural gas, multiply or calculate the values in the capacity tables using the sizing equations with a correction factor. The table below lists correction factors for some common gases:

Gas Type	Density ratio to air	Conversion factor
Air	1.00	0.77
Butane	2.00	0.55
Propane	1.52	0,63
Propane+Air Mix	1.2	0,71
Hydrogen	0.07	2.94
Nitrogen	0.97	0.79
Carbondioxide	1.52	0.63

Use the following formula to calculate the correction factor for gases not listed above. In the formula, d is the specific gravity of the gas.

$$\text{Conversion factor} = \sqrt{\frac{0.6}{d}}$$

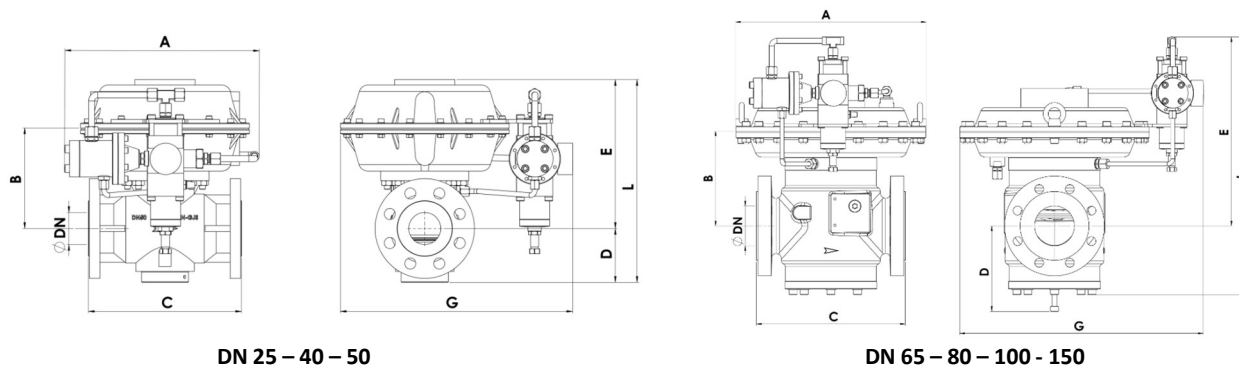
Stm3 /h /reference conditions 15 °C, 1 barg

Nm3 /h x 0.94795 = Nm3 /h Nm3 /h reference conditions 0 °C, 1 barg


Gas Pressure Regulator, Z-P Serie

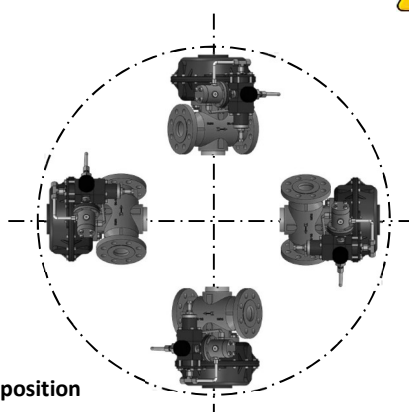
Dimensions and Weights

Z-P Serie -without SSV



DN ⁽¹⁾	A	B	C	D	E	G	L	Wgt kg
25 1"	320	160	222	80	240	385	320	26
40 1 1/2"	320	160	222	80	240	385	320	27
50 2"	320	170	254	90	246	385	340	32
50 2"	385	190	254	90	246	490	340	41
65 2 1/2"	385	190	298	175	380	490	520	82
80 3"	385	190	298	175	380	490	520	83
100 4"	385	190	352	175	380	490	520	103
150 6"	385	280	451	360	780	490	700	165

 Int silencer does not affect dimensions
Flange holes on DN25 size are threaded M12x1,75
Flange holes on DN65 size are threaded M16x2,0



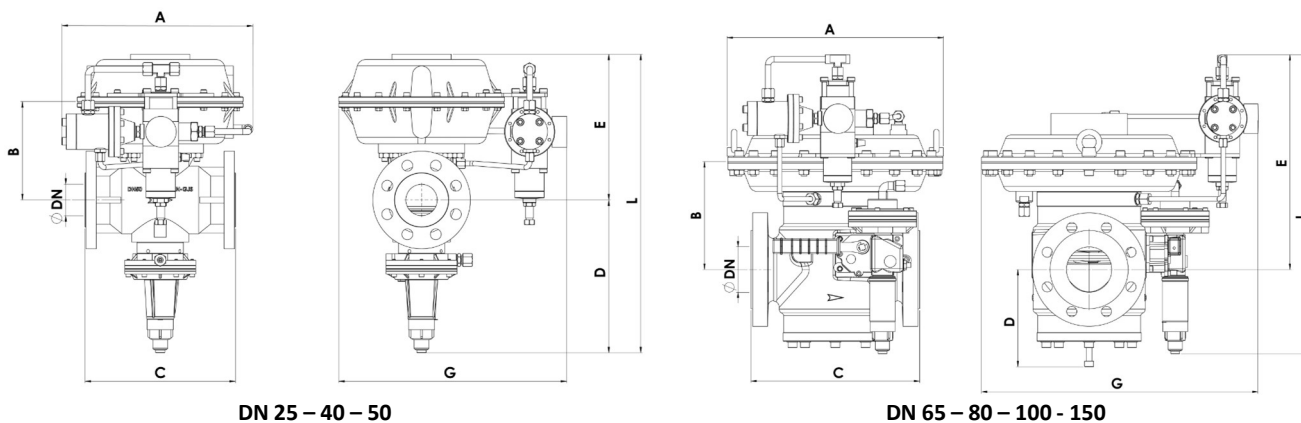
Mounting position



Gas Pressure Regulator, Z-P Serie

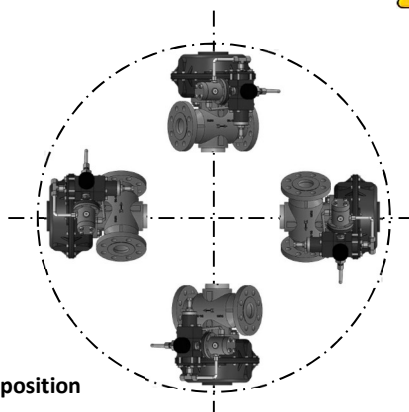
Dimensions and Weights

Z-P Serie -with SSV



DN ⁽¹⁾	A	B	C	D	E	G	L	Wgt kg
25 1"	320	160	222	250	240	385	490	
40 1 1/2"	320	160	222	250	240	385	490	
50 2"	320	170	254	260	246	385	510	
50 2"	385	190	254	260	246	490	510	
65 2 1/2"	385	190	298	175	380	490	530	
80 3"	385	190	298	175	380	490	530	
100 4"	385	190	352	175	380	490	530	
150 6"	385	280	451	350	780	490	610	

! Int silencer does not affect dimensions
 Flange holes on DN25 size are threaded M12x1,75
 Flange holes on DN65 size are threaded M16x2,0



Gas Pressure Regulator, Z-P Serie

Outlet Pressure Range and Setting Springs

The spring setting ranges for all diameter regulator are shown in the tables below






Pressure Range (mbar)	Actuator (∅)	Color		Diameter (mm)	Order Code
300 – 1100	GT238A	Orange		3.5	2.13.0419
1000 – 2500	GT238A	Grey		4.0	2.13.0420
1500 – 6000	GT238A	Yellow		5.0	2.13.0421
4000 – 6000	GT238A	Blue		6.0	2.13.0422
6000 – 16000	GT238A	Black		7.0	2.13.0423

Shut Off Range and Setting Springs

Over- Shut off setting ranges for the all diameters are shown in the tables below

Pressure Range (mbar)	Actuator (∅)	Color		Diameter (mm)	Order Code
80 – 370	120 BP-MP	Yellow		2.7	2.13.0714
280 – 490	120 BP-MP	Black		3.2	2.13.0066
480 – 1000	120 AP	Purple		3.5	2.13.0682
750 – 1250	120 AP	Silver		3.7	2.13.0683
1000 – 1750	120 AP	Pink		4.0	2.13.0744
1500 – 2500	120 AAP	White		4.5	2.13.0319
2000 – 5500	120 AAP	Orange		5.0	2.13.0324

Over- Shut off setting ranges for the all diameters are shown in the tables below





Pressure Range (mbar)	Actuator (∅)	Color		Diameter (mm)	Order Code
60 – 240	120 BP-MP	Black		2.3	2.13.0069
70 – 450	120 BP-MP	Purple		2.5	2.13.0746
350 – 900	120 AP-AAP	Silver		2.8	2.13.0320
700 – 3200	120 AP-AAP	Pink		3.5	2.13.0745

Gas Pressure Regulator, Z-P Serie

Color of Products





Standard Colors


The colors of the regulator parts are painted as follows.

Part	RAL Code	Color
Body PN16-20 according to ISO 7005	1021	
Body Class 150 RF according to ASME B16.5	3000	
Main Actuator All Versions	9005	
Slum Shut Covers All Versions	9005	

Optional Colors

You can choose one or more of the following colors.

Part	RAL Code	Color
All Parts	1021	
All Parts	3000	
All Parts	9005	
All Parts	6011	
All Parts	5010	

 delivery times and price may vary in optional color options.

Gas Pressure Regulator, Z-P Serie

NOTES

For more information, contact your local sales representative or agency.



info@gastech.com.tr



www.gastech.com.tr



+90 286 501 55 11



gastech_naturalgas



www.linkedin.com/in/gastech-naturalgas-577b931a8/

GASTECH SANAYI VE TICARET ANONIM SİRKETİ
Çanakkale Organize Sanayi Bölgesi, 1. Cadde No:28 17100
Merkez-Çanakkale-TURKEY
Chamber of Commerce Çanakkale, 9492
www.gastech.com.tr info@gastech.com.tr

All rights reserved. 01/2023.

The Gastech logo is a trademark and service mark of GASTECH AS. All other marks are the property of their prospective owners. Gastech™ is a mark owned by one of the companies in the GASTECH AS. Subject to changes and errors. The information given in this document only contains general descriptions and/or performance features which may not always specifically reflect those described, or which may undergo modification in the course of further development of the products. The requested performance features are binding only when they are expressly agreed upon in the concluded contract. GASTECH AS does not assume responsibility for the selection, use or maintenance of any product. Responsibility for proper selection, use and maintenance of any product remains solely with the purchaser.